



PROJECT		REF		REV	ITEM CODE	
LOCATION		DATE			PAGE	

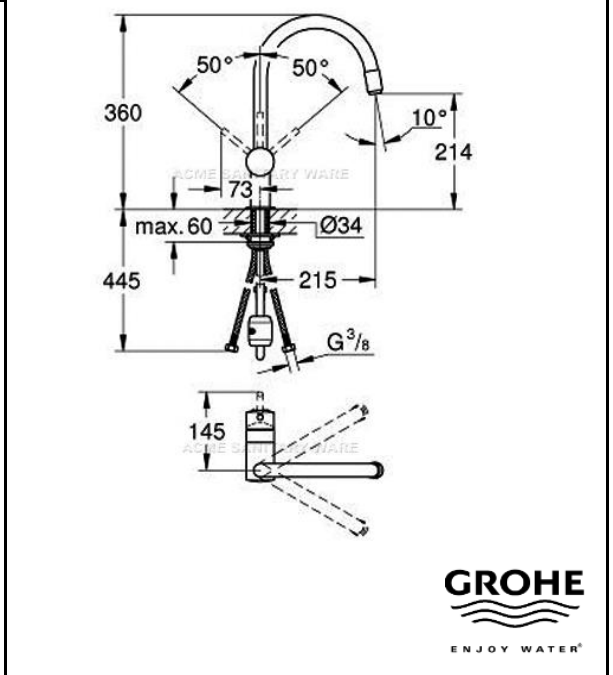
## SANITARY WARE SPECIFICATION SHEET

Item Descriptions	GROHE (Germany) "Minta" Chrome plated single-lever sink mixer 1/2" ; nominated flow rate <b>4.8 L/min</b> in WELS <b>Grade 1</b> ; Registration No. TM 18-0187
Dimensions	L215 x W145 x H360 mm
Model	32918000
Material	Chrome Plated
Manufacturer	GROHE Limited
Country of Origin	Portugal
Supplier	Acme Sanitary Ware Co. Ltd Mr. Eric Wong/ Mr. Don Yuen
Contact Tel/Fax	(852) 2388-7171 / (852) 2710-8012
E-mail	acme@acmesanitary.com.hk
Website	www.acmesanitary.com.hk



Minta  
 Single-lever sink mixer 1/2"  
 C-spout  
 single hole installation  
**GROHE StarLight** finish  
**GROHE SilkMove** 46 mm ceramic cartridge  
**GROHE EasyDock** guarantees easy retraction and smooth docking back to the starting position  
 pull-out mousseur  
 adjustable flow rate limiter  
 swivel tubular spout  
 swivel area 360°  
 integrated non-return valves  
 protected against backflow  
 flexible connection hoses  
 rapid installation system  
 optional temperature limiter ref. no. 46 308  
 min. recommended pressure 1.0 bar

Key Features & Innovations



Note: PART OF LIXIL

\* All information of the above is for the reference only. No prior notice is made if any changes.

註冊號碼 (Registration No.): TM 18-0187



自願參與用水效益標籤計劃 - 水龍頭  
Voluntary Water Efficiency Labelling Scheme - Water Taps



茲證明  
This is to certify that

將下列水龍頭在本計劃內註冊：  
has registered the following water tap under this scheme :

牌 子 / Brand	:	GROHE
型 號 / Model	:	32918XXX + 64647040
種 類 / Type	:	Mixing
原產地 / Country or Region Origin	:	Portugal

在用水效益標籤上展示的標誌 <i>Symbolic Presentation on the Water Efficiency Label</i>	:		滴水點 <i>Water droplet(s)</i>
用水效益級別 <i>Water Efficiency Grade</i>	:	1	
耗水量 <i>Water Consumption</i>	:	4.8	公升/分鐘 <i>litres/minute</i>

簽發日期：  
Date of Issue: 24 July 2018

水務署  
Water Supplies Department



水務署署長(周世威代行)  
for Director of Water Supplies



水務署  
Water Supplies Department

總部 Headquarters

香港灣仔告士打道七號入境事務大樓 48 樓

7 Gloucester Road, Wan Chai, Hong Kong



本署檔號  
Our ref.  
來函檔號  
Your ref.

21/2023 T/J(971/2023)

電話  
Tel. :  
傳真  
Fax. : 2824 0578

21 December 2023



**Approval of "GROHE" Sink Mixer  
(General Acceptance No. C20230943)**

Your E-Application [file-id: ETJ-GA-20230913-119] dated 18 September 2023 and subsequent submissions received by this department up to 13 December 2023 refer.

Having considered the test reports ref. 222320PC220506C, 202535EN221835B and 202535EN221836B issued on 4 December 2023, 26 June 2023 and 12 July 2023 respectively by Fugro Technical Services Ltd., this Authority accepts that the fitting described below complies with, and its use when correctly installed does not contravene, the Waterworks Ordinance and Regulations.

**Name of Manufacturer:** Grohe AG

**Country of Origin:** Portugal

**Brand:** Grohe

**Details of Fitting:** 3/8" Single lever sink mixer with 2 nos. of flexible hoses

**Model:** 32918XXX  
(where "XXX" denotes the code of colour)

**Body Markings:**



**Expiry Date:** 6 November 2027

This Authority hereby permits the use of the above fitting in fresh water plumbing systems subject to full adherence to Waterworks installation requirements. In particular, you are required to draw your customers' attention to the following requirement-

"The cold water supply to the fitting shall be drawn from the same source that supplies the hot water apparatus so as to provide a balanced pressure and to obviate the risk of scalding in the event of a restriction or failure in the water supply."

A condition of this acceptance is that the fitting to be installed shall be replicas of the sample as certified by the testing agent mentioned above and without modifications. This acceptance may be withdrawn at any time if the standard of the fitting installed fails to meet that of the approved sample or if the fitting is found to be unsuitable for use in fresh water plumbing systems.

This acceptance is only applicable to the main body of the fitting, unless otherwise specified.

For the use of the fitting in any project, the General Acceptance Number of this letter must be quoted as a means of identification of acceptance of the fitting by this Authority.

Should you have any enquiries, please contact our Engineer Mr Albert CHOW at tel. no. 3583 4086.

Yours faithfully,



(Terry KUNG)

for Director of Water Supplies

Encl.

c.c. WSD 3321/1/82 ] - without catalogue  
ME/MC ] - with soft copy only